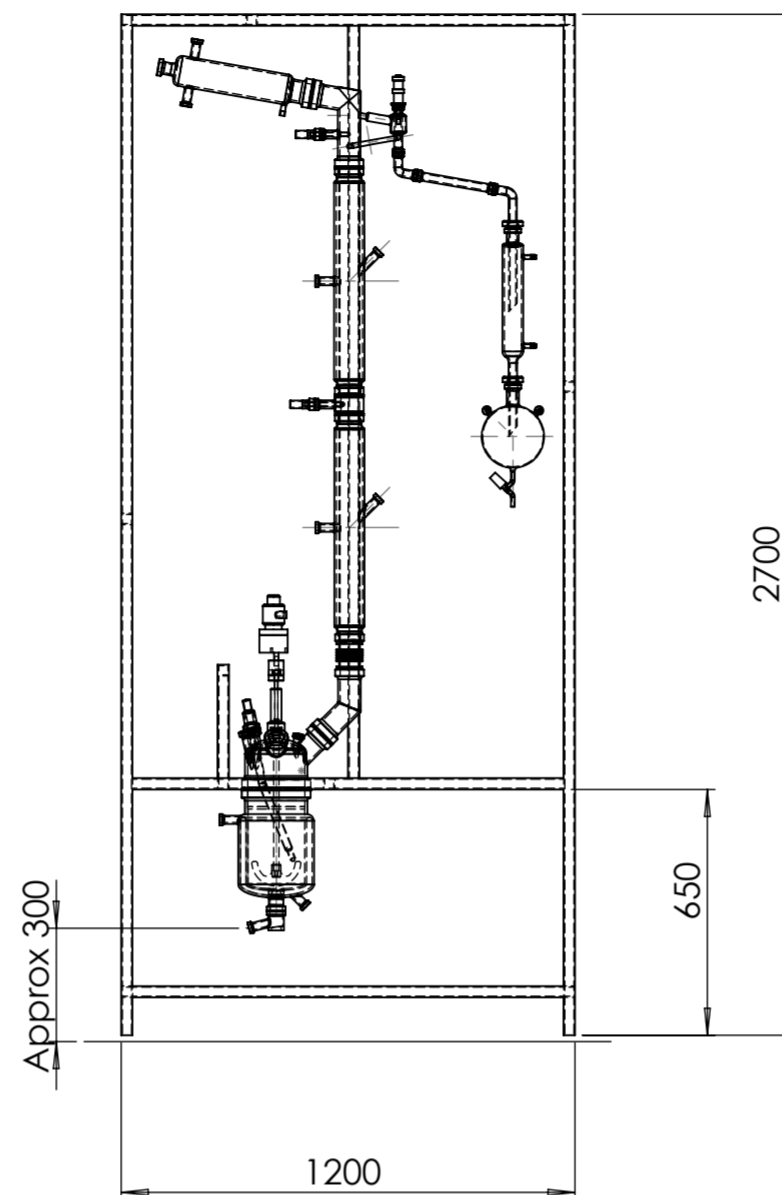
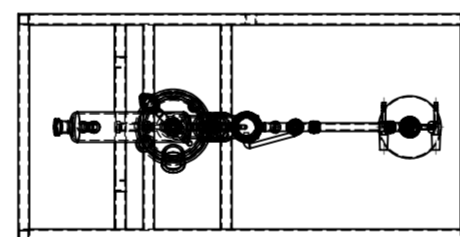


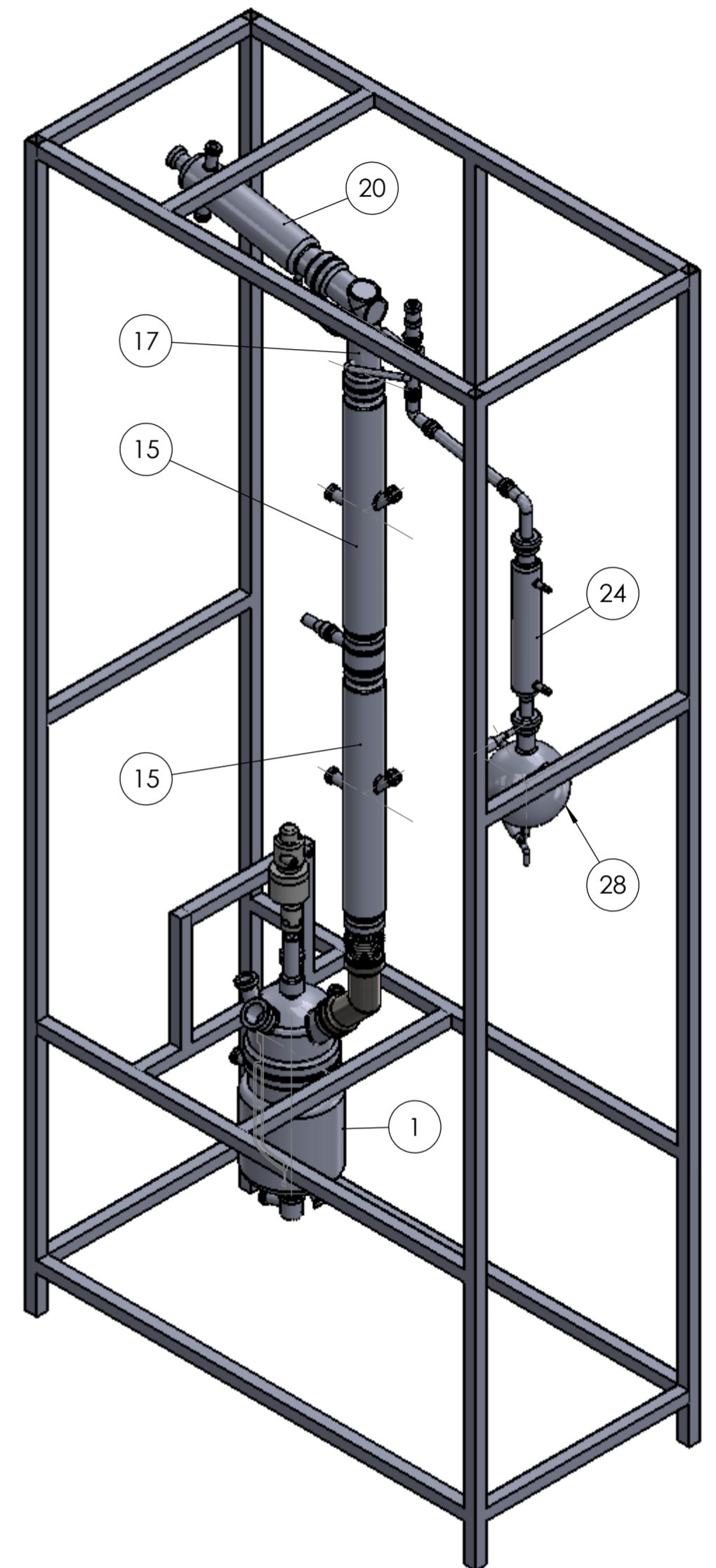
SIDE VIEW



FRONT VIEW



TOP VIEW



Serial Number	Components	Qty.
1	Graduated jacketed reactor capacity 3 litres DN150	1
15	Jacketed Packing Column DN50 Length 600 mm. Filled with glass "Raschig rings" Od. 8 mm. Height 8 mm.	2
17	Reflux Head DN50	1
20	Coil heat exchanger DN50	1
24	Distillate cooler	1
28	Distillate collection tank capacity 2 litres.	1

**AIR GEAR MOTOR SPECIFICATIONS**

Max Pressure	5.6 bar (80 psi)
Max Air Consumption	36 m3/h ( 2 cfm)

**ELECTRIC CONTROL BOARD**

Electrical power supply	230 V A.C. - 50 Hz. - 16 A
Dimensions	430 x 210 x 650H (mm.)

 SOFFIERIA SESTESE S.r.l.  
Via R. Wagner, 291 - 20831 - Seregno (Mi) - Italy  
Tel. +39 0362 17.90.991 - Fax +39 0362 17.95.763  
[www.soffieriasestese.it](http://www.soffieriasestese.it) - e-mail: [info@soffieriasestese.it](mailto:info@soffieriasestese.it)



YEAR OF MANUFACTURER  
**2014**

TYPE  
**SDS03L**

ITEM  
**SDS03L.15H/2014**

SERIAL NUMBER  
**15H - 01 - 2014**

PS - WORKING PRESSURE  
**-1 ÷ +0.5 barg**

TS - WORKING TEMPERATURE  
**-50 ÷ +160 °C**

THERMAL SHOCK  
**120 K**

ATEX CLASS  
**II 2 GD IIB T3**

**ATEX 94/9/CE**

2	Terza emissione / Third issue	20/11/2014	E.F.	V.G.	V.G.
1	Seconda emissione / Second issue	19/11/2014	E.F.	V.G.	V.G.
0	Prima emissione / First Issue	13/11/2014	E.F.	V.G.	V.G.
Rev. Issue	Descrizione Description	Data Date	Dis. Drawn	Contr. Check	Appr. Appr.
 SOFFIERIA SESTESE S.r.l. Via Riccardo Wagner, 291 20831 - SEREGNO (MI) - ITALY Tel. +39 0362 17.90.991 Fax +39 0362 17.95.763 <a href="http://www.soffieriasestese.it">http://www.soffieriasestese.it</a> e-mail: <a href="mailto:info@soffieriasestese.it">info@soffieriasestese.it</a>		<b>DISTILLATION SYSTEM 3 L.</b> GENERAL ASSEMBLY Tutte le quote sono in mm. - All dimensions are in mm.			
Direttive di riferimento: UNI EN 12585:1999, AD2000 MERKBLATT Reference directive: Tolleranze generali secondo ISO 2768-mK		Dis. N° Drwg. No.	1112 - 000		Rev. Issue 2
Cliente Customer	Codice Code	Ordine Order	Commissa Job	pr. 15/H	Scala Scale 1:10